



I Application

The Estampinox EFI pump is a stainless-steel centrifugal pump for decanting water and other fluids.
It is designed to cater for the needs of all the auxiliary services in the food-processing, chemical, pharmaceutical, and wine-making industries, among others.

I Operating principles

Housed inside the casing, the impeller rotates in conjunction with the shaft.
With this arrangement, the impeller blades convey energy to the fluid in the form of kinetic energy and pressure energy.
The pump is not reversible by simple reversal of the direction of rotation. The direction of rotation is clockwise when the pump is viewed from the rear side of the motor.

I Design and features

Casing manufactured with cold-formed plate.
BSP/GAS connection (standard).
Open impeller manufactured with stainless steel cold-formed plate or investment casting (according to model).
Inner mechanical seal.
Simple parts and easy maintenance.
Motor according to IEC B34 standards.



I Materials

Parts in contact with pumped media:	AISI 316L
Other parts:	AISI 304
Gaskets (standard):	VMQ (Silicone)
Mechanical seal (standard):	Cer/C/NBR
Surface finish:	Electro polished

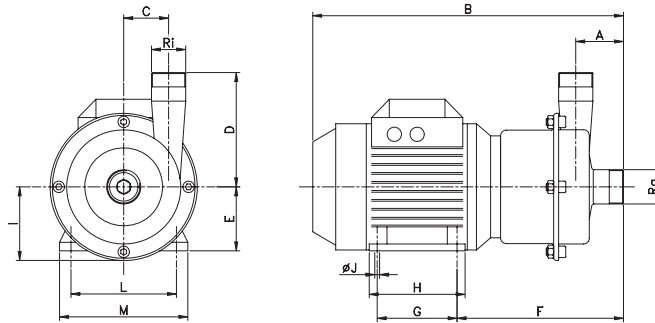
I Options

AISI 304 motor shroud.
Mechanical seal in C/St.St.
Gaskets in EPDM, FPM (Viton®) or PTFE.
Motors with additional protection.
Trolley and/or electric panel.
Connections: DIN, SMS, clamp, flanges, etc.

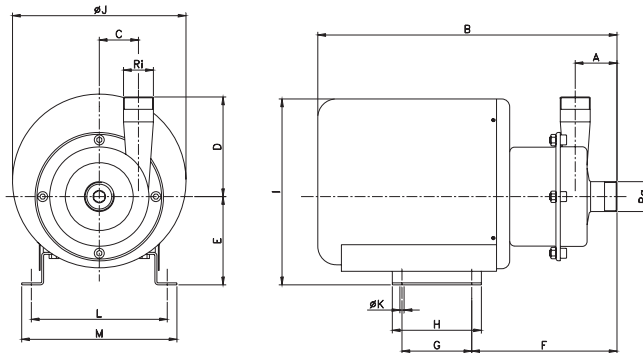


I Technical specifications

Max. flow 65 m³/h / 286GPM
 Max. head 45 mcl / 148 ft
 Max. suction pressure 2 bar / 29 PSI
 Max. working temperature 90 °C / 194°F
 Max. speed 3500 rpm



PUMP	Motor		GAS/BSP		A	B	C	D	E	F	G	H	I	ØJ	L	M
	Size	kW	Ra	Ri												
EFI-2003	71	0,37	1"	¾"	60	365	36	100	71	198	90	112	73	7	112	135
EFI-2107	80	0,75	1½"	1"	64	380	48	110	80	204	100	125	86	9	125	153
EFI-2222 EFI-2222A	90L	2,2	1½"	1½"	67	430	66	160	90	227	125	150	103	10	140	170
EFI-2340 EFI-2340B	100	4	2"	2"	70	480	92	192	100	251	140	172	128	12	160	197
EFI-2355 EFI-2355A	112	5,5				520			112	258		168			190	222
EFI-2375 EFI-2375A	132	7,5				580			132	300		178			212	150
EFI-4002	71	0,25	1"	¾"	60	365	36	100	71	198	90	112	73	7	112	135
EFI-4105	80	0,55	1½"	1"	64	380	48	110	80	204	100	125	86	9	125	153
EFI-4211 EFI-4211A	90S	1,1	1½"	1½"	67	405	66	160	90	227	100	125	103	10	140	170
EFI-4322 EFI-4322A EFI-4322B	100	2,2	2"	2"	70	480	92	192	100	251	140	172	128	12	160	197



PUMP	Motor		GAS/BSP		A	B	C	D	E	F	G	H	I	ØJ	ØK	L	M
	Size	kW	Ra	Ri													
EFI-2003	71	0,37	1"	¾"	60	395	36	100	106	198	90	110	235	220	7	168	188
EFI-2107	80	0,75	1½"	1"	64	450	48	110	130	204	100	130	290	270	9	195	225
EFI-2222 EFI-2222A	90L	2,2	1½"	1½"	67	465	66	160	140	227	125	155	300	270	10	210	240
EFI-2340 EFI-2340B	100	4	2"	2"	70	555	92	192	160	251	140	170	353	330	242	272	
EFI-2355 EFI-2355A	112	5,5				172			258	365		272	302				
EFI-2375 EFI-2375A	132	7,5				192			305	170		220	410		380	13	310

