

**I Application**

The SWFI pump is a centrifugal pump that complies with the highest hygienic requirements of the pharmaceutical industry.

Its main application is the loops of de-mineralised water of various pharmaceutical qualities.

**I Operating principle**

The operating principle is the one of the centrifugal pumps. Allowing to maintain the water purity in the circuit the pump is completely drainable, the parts of the pump resist the passivation system and the rigorous CIP/SIP processes.

If a double seal is installed, the sealing barrier is the sterile water of the process, the flow of which is regulated with a needle valve.

**I Design and features**

The pump outlet is at 45 ° with the 1/2" clamp drain port.

Clamp connections (standard).

Open type investment casting impeller.

Interior surface finish  $Ra \leq 0.5 \mu m$ .

Hygienic mechanical seal.

3A certified pump.

Robust cast lantern.

Motors: IEC B5, IP55, F class insulation.

**I Materials**

Parts in contact with the media:

AISI-316L

Lantern/Tripod:

AISI-304

Gaskets (standard):

EPDM according to FDA

Mechanical seal (standard):

single SiC/TungC/EPDM



## I Options

Double mechanical seal (SiC/TungC-SiC/TungC).

Flushing circuit:

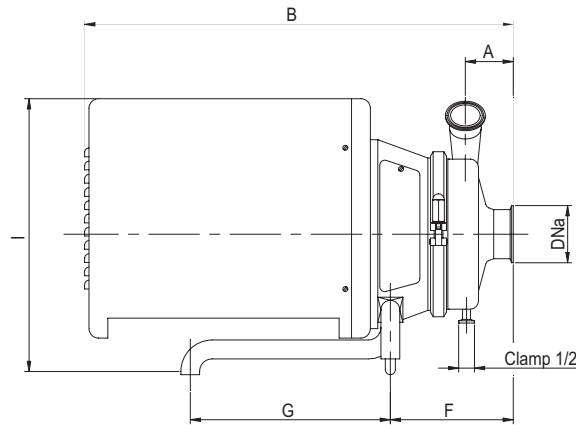
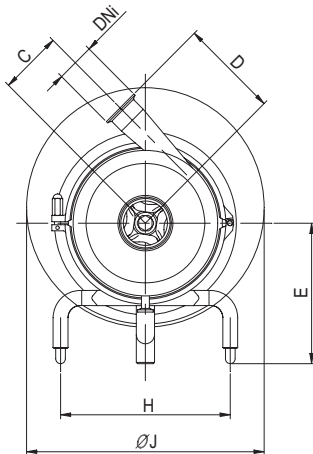
- 1/2" pipework and fittings
- 1/2" drainage clamp
- 1/2" drainage diaphragm valve
- Check valve at the outlet of the flushing of the mechanical seal
- Flow meter (optional)

FPM and PTFE gaskets.

## I Technical specifications

Max. flow	125 m <sup>3</sup> /h
Max. pressure	10 bar
Max. aspiration pressure	4 bar
Max. working temperature*	120 °C
Max. speed	3500 min -1

\* Allows the sterilisation with the overheated water at 130 °C for no longer than 45minutes.



Dimensions of CLAMP-ISO 2852 connections

PUMP TYPE	Motor size	DNa	DNi	A	B	C	D	E	F	G	H	I	ØJ
S-20	B 80	2"	11/2"	52	483	74	131	165	149	235	205	325	270
	C 90												
S-26	B 80	3"	2"	61	501	75	145	165	168	235	205	325	270
	E 100/112				581			190	178	275	205	375	330
S-28	B 80	11/2"	11/2"	58	478	107	137	165	150	235	205	325	270
	C 90				564								
S-35	C 90	3"	2"	77	502	104	163	165	172	235	205	325	270
	F 132				687			230	195	320	280	445	380
S-38	C 90	4"	3"	56	519	95	184	165	189	235	205	325	270
	E 110/112				605			190	199	275		375	330
	G 160				851			280	218	355	320	555	465
	H 180									425			

