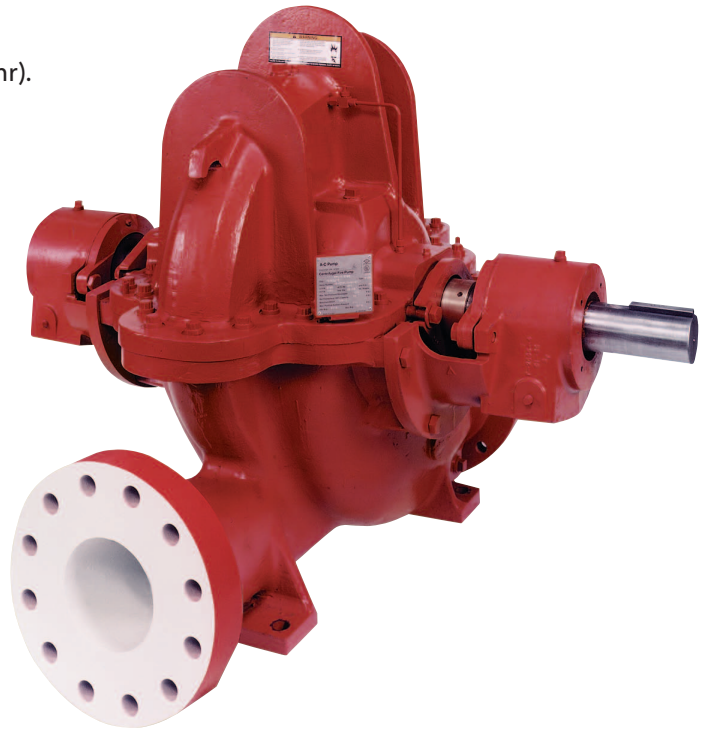


Features & Benefits

- Available in capacities from 2500 to 5000 GPM (1136 m³/hr).
- Pressures up to 208 PSI (146m).
- In compliance with NFPA #20, UL, ULC, FM, and ANSI.
- Performance and hydrostatic tests.
- Dynamic balance impellers.
- Dual volute casing balances radial forces on the shaft bearings.
- Space saving design.
- Easy maintenance and upkeep.
- Available in electric or diesel engine driven models.
- Standard construction: cast iron, bronze fitted.
- Clockwise or counterclockwise rotation is available to simplify pump room layout.
- Packed stuff box.
- Grease lubrication.
- Designed for low horsepower requirements.
- Available in 50 or 60 cycle.
- Suction and discharge flanges are on a common centerline.

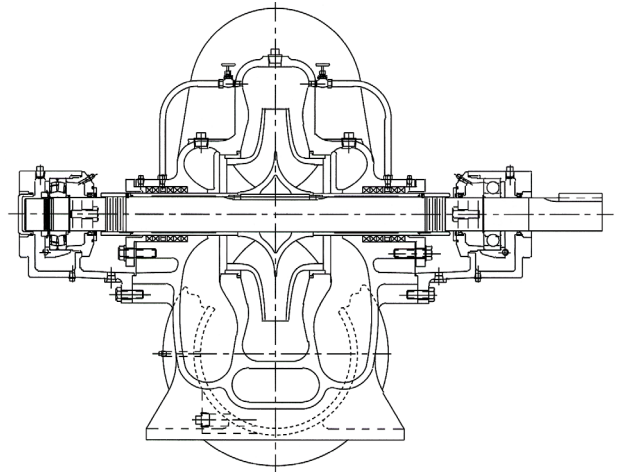


The **9100 Series Fire Pump** is designed to provide water to stand pipe, sprinkler, chemical mitigation, and hydrant systems for fire suppression in industrial and commercial facilities.

Fire Pumps Series 9100

Series 9100

Part Name	Basic Construction Cast Iron, Bronze Fitted
Pipe Plugs (Casing)	Brass
Flush Piping	Copper
Packing Glands	Bronze (ASTM B584-932)
Bolts (Gland)	316 Stainless Steel
Pipe Plugs (Brg. Hsg.)	Steel
Packing (Rings)	Graphite Impregnated Acrylic Yarn
Casing Assembly	Cast Iron (ASTM A48 Class 35A)*
Casing Gasket (Suction)	Paper (Vellumoid 505)
Casing Gasket (Discharge)	Paper (Vellumoid 505)
Casing Joint Bolts	Steel (Grade 8)
Dowel Pins (Casing)	416 Stainless Steel
Casing Rings	Bronze (ASTM B584-932)
Shaft	Steel (SAE 1045 / SAE 4140)
Shaft Sleeves	Bronze (ASTM B584-932)
Shaft Sleeve Nuts	Bronze (ASTM B584-932)
Bearing Cap (Inboard)	Cast Iron (ASTM A48 Class 25A)
Bearing Cap (Outboard)	Cast Iron (ASTM A48 Class 25A)
Bearing Housing	Cast Iron (ASTM A48 Class 25A)
Ball Bearing (Inboard)	Steel
Ball Bearing (Outboard)	Steel
Shaft Cover	Bronze (ASTM B584-932)
Thrust Washer	Steel
Deflectors	Rubber (Buna "N")
Bearing Isolator	Bronze
Gasket Bearing Housing	Paper (Vellumoid 505)
Locknut (Bearing)	Steel
Lockwasher (Bearing)	Steel
Set Screws	316 Stainless Steel
Cap Screw	Steel (Grade 2)
Grease Fittings (Bearing)	Steel
Key (Impeller)	316 Stainless Steel
Key (Coupling)	Steel
Key (Sleeve)	316 Stainless Steel
O-ring (Shaft Cover)	Rubber (Buna "N")
O-ring (Shaft Sleeve)	Rubber (Buna "N")
Retaining Ring	Steel
Spirol Pins (Casing Ring)	304 Stainless Steel
Impeller	Bronze (ASTM B584-875)
Seal Cage	PTFE



Pump Size
12x8x21F
12x8x22F-M
14x10x20F-S
14x10x20F-L
16x12x23F

* Casings for pump sizes with "H" prefix will be made from Ductile Iron (Grade 65-45-12).



Xylem, Inc.
8200 N. Austin Avenue
Morton Grove, Illinois 60053
Phone: (847) 966-3700
Fax: (847) 965-8379
www.xyleminc.com/brands/acfirepump

Xylem Applied Water Systems
a division of Xylem Canada Company
55 Royal Road, Guelph, Ontario
N1H 1T1, Canada
Phone: (519) 821-1900
Fax: (519) 821-5316

A-C Fire Pump is a trademark of Xylem Inc. or one of its subsidiaries.
© 2012 Xylem Inc. ACFP 9100-05 September 2012