

CombiFlex

Compact vertical centrifugal pump



System characteristics

The CombiFlex is a part of the CombiSystem, a family of different pump types having a high interchangeability in parts. The hydraulic field complies with EN 733 (DIN 24255).

The CombiFlex is a pump type in a compact design, suitable for floor as well as centre of gravity support, with many construction variants, e.g. spacer coupling (K1 & K3) (Top-Pull-Out); standard coupling (K2 & K4) (space save design). Other variants are possible by using CombiChem or CombiNorm shaft sealing and bearing modules.

Applications

The CombiFlex is suitable for handling low viscosity, clean or slightly contaminated liquids, for instance aboard ships, potable water systems and industrial buildings.

Pump specifics

- Many installation options: with supports on the floor, in the floor (on ship decks for example) and partition or centre of gravity support
- 8 different angles between the discharge and suction nozzle's horizontal plane
- Compact and modular design
- Standard execution with a mechanical seal according to EN 12756 (DIN24960)
- Design with a spacer coupling (K1 & K3), Top-Pull-Out, resulting in simple mounting and disassembly
- The space-saving design (K2 & K4) is eminently suited for confined areas (e.g. on board ships)
- CombiChem or CombiNorm bearing bracket allows flexible choice in bearings and shaft seal modules

Technical data

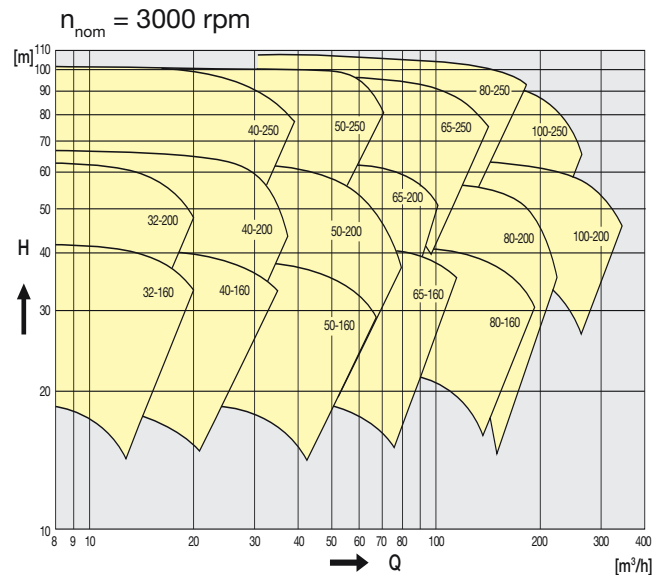
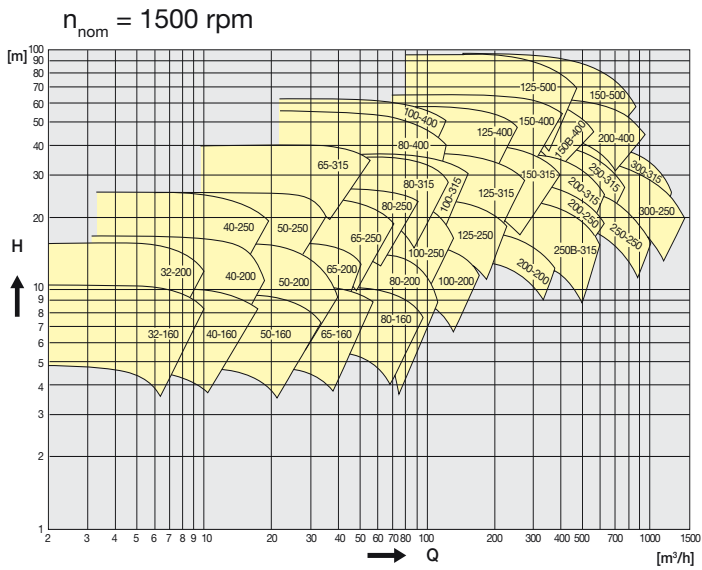
Maximum capacity:	1500 m ³ /h
Maximum delivery head:	140 m
Maximum liquid temperature:	110 °C
Maximum speed:	3600 rpm
Maximum operating pressure:	10 bar

Materials

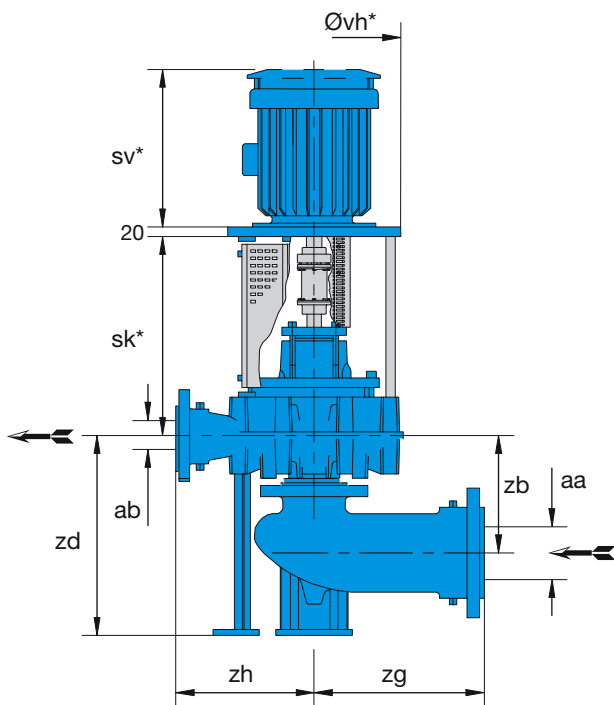
Pump casing	Cast iron	Bronze	
Stuffingbox cover	Cast iron	Bronze	
Impeller	Cast iron	Bronze	Alu-bronze
Pump shaft	Stainless steel		
Shaft sleeve	Bronze		
Suction bend	Cast iron	Bronze	

Other materials upon request

Performance data



Dimensions



Drawing showing CombiFlex version K1 (spacer coupling) with suction bend

CombiFlex	aa	ab	zb	zd	zg	zh	sk*	
							K1**	K2***
32-160	65	32	167	330	220	250	340-355	235-290
32-200	80	32	177	350	220	280	340-355	235-310
40-160	80	40	177	330	220	250	340-385	235-310
40-200	80	40	192	350	220	280	340-385	235-310
40-250	100	40	202	370	250	315	340-385	235-310
50-160	80	50	192	345	220	250	340-385	225-300
50-200	100	50	202	350	250	280	340-385	235-310
50-250	100	50	202	370	240	315	340-385	235-310
65-160	125	65	242	375	240	250	340-385	225-320
65-200	125	65	222	375	240	280	340-385	225-320
65-250	125	65	242	370	240	315	440-520	295-355
65-315	125	65	242	455	240	315	440-490	300-370
80-160	150	80	232	390	350	250	340-390	245-320
80-200	150	80	252	400	350	280	440-520	305-385
80-250	150	80	252	400	350	315	440-520	295-400
80-315	150	80	252	455	350	315	440-490	310-370
80-400	150	80	252	425	350	405	525-585	390-455
100-200	150	100	232	415	350	280	440-520	305-385
100-250	150	100	252	420	350	315	440-520	305-385
100-315	150	100	252	475	350	315	440-520	310-415
100-400	150	100	252	425	350	375	525-585	390-455
125-250	150	125	267	440	280	355	440-490	305-365
125-315	150	125	277	495	280	355	530-585	390-455
125-400	150	125	277	425	280	400	525-585	390-455
150-315	200	150	342	520	350	400	530-585	390-455
150-400	200	150	342	520	350	450	555-585	425-455
200-200	150	200	387	485	280	400	460-490	335-355
250B-315	200	250	387	550	350	500	560-585	420-455

CombiFlex	aa	ab	zb	zd	zg	zh	sk*	
							K3**	K4***
125-500	200	125	337	600	350	500	770-870	575-675
150B-400	250	150	337	700	600	500	780-840	585-645
150-500	250	150	357	700	600	550	775-875	580-680
200-250	200	200	342	750	350	425	785-815	590-620
200-315	250	200	357	750	600	450	785-845	590-650
200-400	300	200	397	750	700	550	835-895	590-650
250-250	300	250	407	750	700	550	855-915	610-670
250-315	300	250	437	750	700	500	840-900	595-655
300-250	300	300	387	750	700	550	860-920	615-675
300-315	300	300	387	750	700	550	890-920	645-675

* sk, sv and Øvh dependent on motor-frame size

** K1 & K3 spacer coupling

*** K2 & K4 standard coupling



Johnson Pump Water B.V.

