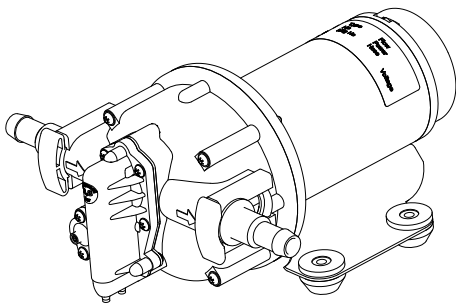




Photo: Jeanneau

# Water Pressure Systems & Wash Down Pumps



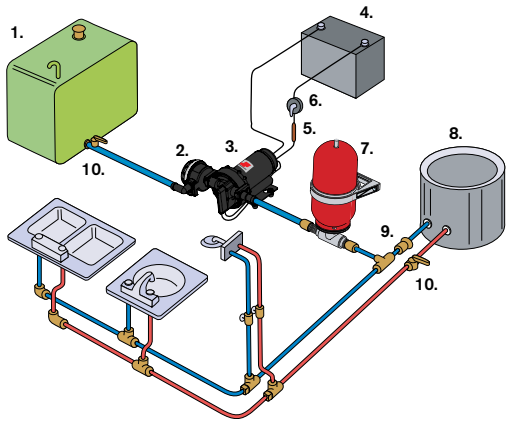
Quiet and pulsation-free even at low speeds, the Aqua Jet five chamber diaphragm pump provides the perfect water pressure or deck wash solution for both small and medium sized leisure and commercial boats. Efficient and compact, Aqua Jet pumps are particularly suitable where low amperage and sound levels in relation to water flow are placed at a premium - such as in shower and galley applications.



CE marked according to following standards:

- EN55014: 1993/Radio disturbance
- ISO8846: 1990/Electrical devices – Protection against ignition of surrounding flammable gases
- ISO10133: 1994/Electrical systems – Extra-low voltage DC installations

# Fresh Water Handling



## Components in Typical Water Pressure Systems

1. Water tank
2. PUMProtector inlet strainer
3. Aqua Jet water pressure pump
4. Battery
5. Fuse
6. Switch
7. Accumulator tank
8. Water heater
9. Check valve
10. Shut-off valve

# Aqua Jet Wash Down Pumps

As a wash down pump, the Aqua Jet offers much higher pressures than competitive models, making clean-up faster and easier than ever before.

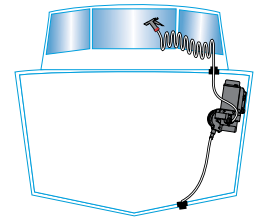


## Aqua Jet Wash Down Pumps 2.9, 3.5 & 5.2

Complete with trigger nozzle, PUMProtector inlet strainer and hose connections for 1/2" hose. Both BSP and NPT connections included in package

**Dimensions** See WPS 2.9, WPS 3.5 and WPS 5.2  
**Motor** WD 2.9 - 90 W, 12/24V DC  
 WD 3.5 - 120 W, 12/24V DC  
 WD 5.2 - 185 W, 12/24V DC  
 (with built-in thermal protection)

**Body** PA/PPA  
**Valves** Nitrile  
**Diaphragm** Santoprene



Order No.	Description	Capacity	Pressure Cut Off	Fuze Size	Connection
10-24728-03	WD 2.9, 12V	11 l/min – 2.9 GPM	2.8 bar – 41 psi	10 A	3/8" NPT x 1/2" barb / 1/2" NPT x 3/4" barb
10-24728-04	WD 2.9, 24V	11 l/min – 2.9 GPM	2.8 bar – 41 psi	5 A	3/8" NPT x 1/2" barb / 1/2" NPT x 3/4" barb
10-13399-03	WD 3.5, 12V	13 l/min – 3.5 GPM	5 bar – 70 psi	15 A	1/2" NPT / hose 3/4", GHT 3/4"
10-13399-04	WD 3.5, 24V	13 l/min – 3.5 GPM	5 bar – 70 psi	8 A	1/2" NPT / hose 3/4", GHT 3/4"
10-13407-07	WD 5.2, 12V	20 l/min – 5.2 GPM	5 bar – 70 psi	20 A	1/2" NPT / hose 3/4", GHT 3/4"
10-13407-08	WD 5.2, 24V	20 l/min – 5.2 GPM	5 bar – 70 psi	10 A	1/2" NPT / hose 3/4", GHT 3/4"



## Aqua Jet Wash Down Pump Kit 5.2

20 l/min (5.2 GPM) wash down kit conveniently includes a high capacity Aqua Jet WD 5.2, 5 bar (70 psi), PUMProtector inlet strainer, spray nozzle, bulk head fitting with valve, 7.5 meters (25') of coiled wash down hose and an illuminated panel switch – all in one package.

Order No.	Description	Connection
64534	Aqua Jet 5.2 Wash Down Pump Kit, 12V	1/2" NPT / hose 3/4", 3/4" GHT, Hose 3/4" GHT
64534-24	Aqua Jet 5.2 Wash Down Pump Kit, 24V	Bulkhead fitting – Inlet 3/4" hose, outlet 3/4" GHT
64535	Aqua Jet 3.5 Wash Down Pump Kit, 12V	

## Accessories



Order No.	Description
09-10616	Bulkhead fitting 3/4" hose (bulk)
61115	Bulkhead fitting 3/4" hose (pkgd)

# Aqua Jet Water Pressure Systems

The five chamber Aqua Jet WPS-series provides a reliable heart for small boat and recreational vehicle water pressure systems. Compared to conventional three or four-chamber diaphragm pumps, the Aqua Jet demonstrates dramatically lower noise and water pulsation characteristics. It is recommended to install the WPS-pumps with an accumulator tank. Always use a PUMProtector inlet strainer before the pump intake.



## WPS 2.4

Diaphragm	Santoprene	Weight	1.6 kg/3.5 lbs
Valves	EPDM	Length	204 mm/8.02"
Body	PP/PPA	Width	197 mm/7.76"
Motor	85W	Height	110 mm/4.33"

Order No.	Description	Capacity	Pressure Cut Off*	Fuze Size	Connection**
10-24604-103	Aqua Jet WPS 2.4, 12V	9 l/min – 2.4 GPM	2.8 bar – 41 psi	10 A	3/8" NPT / hose 1/2", 1/2" - 14 NPSM
10-24604-104	Aqua Jet WPS 2.4, 24V	9 l/min – 2.4 GPM	2.8 bar – 41 psi	5 A	3/8" NPT / hose 1/2", 1/2" - 14 NPSM

## WPS 2.9

Diaphragm	Santoprene	Weight	1.6 kg/3.5 lbs
Valves	EPDM	Length	204 mm/8.02"
Body	PP/PPA	Width	197 mm/7.76"
Motor	85W	Height	110 mm/4.33"

Order No.	Description	Capacity	Pressure Cut Off*	Fuze Size	Connection**
10-13405-103	Aqua Jet WPS 2.9, 12V	11 l/min – 2.9 GPM	2.8 bar – 41psi	10 A	3/8" NPT / hose 1/2", 1/2" - 14 NPSM
10-13405-104	Aqua Jet WPS 2.9, 24V	11 l/min – 2.9 GPM	2.8 bar – 41psi	5 A	3/8" NPT / hose 1/2", 1/2" - 14 NPSM

## WPS 3.5

Diaphragm	Santoprene	Weight	2 kg /4.5 lbs
Valves	EPDM	Length	236,5 mm/9.31"
Body	PP/PPA	Width	210 mm/8.25"
Motor	85W	Height	116 mm/4.575"

Order No.	Description	Capacity	Pressure Cut Off*	Fuze Size	Connection**
10-13395-103	Aqua Jet WPS 3.5, 12V	13L/min / 3.5 GPM	2.8 bar / 41psi	10A	3/8" NPT / hose 1/2", 1/2" NPT / hose 3/4", 1/2" - 14 NPSM
10-13395-104	Aqua Jet WPS 3.5, 24V	13L/min / 3.5 GPM	2.8 bar / 41psi	5A	3/8" NPT / hose 1/2", 1/2" NPT / hose 3/4", 1/2" - 14 NPSM

## WPS 4.0

Diaphragm	Santoprene	Weight	2 kg /4.5 lbs
Valves	EPDM	Length	240 mm/9.46"
Body	PP	Width	214 mm/8.42"
Motor	100W	Height	110 mm/4.33"

Order No.	Description	Capacity	Pressure Cut Off*	Fuze Size	Connection**
10-13406-103	Aqua Jet WPS 4.0, 12V	15L/min / 4.0 GPM	2.8 bar / 41psi	10A	3/8" NPT / hose 1/2", 1/2" NPT / hose 3/4", 1/2" - 14 NPSM
10-13406-104	Aqua Jet WPS 4.0, 24V	15L/min / 4.0 GPM	2.8 bar / 41psi	5A	3/8" NPT / hose 1/2", 1/2" NPT / hose 3/4", 1/2" - 14 NPSM

## WPS 5.2

Diaphragm	Santoprene	Weight	2 kg /4.5 lbs
Valves	EPDM	Length	240 mm/9.46"
Body	PP	Width	214 mm/8.42"
Motor	150W	Height	110 mm/4.33"

Order No.	Description	Capacity	Pressure Cut Off*	Fuze Size	Connection**
10-13406-107	Aqua Jet WPS 5.2, 12V	20L/min/ 5.2 GPM	2.8 bar / 41psi	15A	3/8" NPT / hose 1/2", 1/2" NPT / hose 3/4", 1/2" - 14 NPSM
10-13406-108	Aqua Jet WPS 5.2, 24V	20L/min/ 5.2 GPM	2.8 bar / 41psi	8A	3/8" NPT / hose 1/2", 1/2" NPT / hose 3/4", 1/2" - 14 NPSM

\*Cut off pressure 2.1 bar/30 psi and 1.4 bar/20 psi available on request

\*\* BSP-connection available on request



### Aqua Jet Uno WPS 3.5 & 5.2

Medium demand unit with a single Aqua Jet WPS capacity 13 l/min or 20 l/min fixed on a base with PUMProtector inlet strainer and a 2 litres pre-pressurized accumulator tank.

Order No.	Description	Capacity	Pressure Cut Off*	Fuze Size	Connection
10-13408-01	WPS Uno 3.5, 12V	13 l/min – 3.5 GPM	2.8 bar – 41 psi	10 A	3/4" hose
10-13408-02	WPS Uno 3.5, 24V	13 l/min – 3.5 GPM	2.8 bar – 41 psi	5 A	3/4" hose
10-13408-03	WPS Uno 5.2, 12V	20 l/min – 5.2 GPM	2.8 bar – 41 psi	15 A	3/4" hose
10-13408-04	WPS Uno 5.2, 24V	20 l/min – 5.2 GPM	2.8 bar – 41 psi	8 A	3/4" hose
10-13281-05	WPS Uno 3.5, 12V	13 l/min – 3.4 GPM	2.8 bar – 41 psi	10 A	1/2" hose
10-13281-06	WPS Uno 3.5, 24V	13 l/min – 3.4 GPM	2.8 bar – 41 psi	5 A	1/2" hose

\*Cut off pressure 2.1 bar/30 psi and 1.4 bar/20 psi available on request



### Aqua Jet Duo WPS

High demand unit with two parallel-connected Aqua Jet WPS capacity 40 l/min fixed on a base with PUMProtector inlet strainers and a 2 litres pre-pressurized accumulator tank.

Order No.	Description	Capacity	Pressure Cut Off	Fuze Size	Connection
10-13409-01	WPS Duo 10.4, 12V	40 l/min – 10.4 GPM	2.8 bar – 41 psi	25 A	3/4" hose
10-13409-02	WPS Duo 10.4, 24V	40 l/min – 10.4 GPM	2.8 bar – 41 psi	15 A	3/4" hose



### Aqua Jet Uno Max WPS 2.9 & 3.5

Medium demand unit with a single Aqua Jet WPS with capacity 11 or 13 l/min fixed on a wooden panel for easy and efficient installation. The unit includes a PUMProtector inlet strainer and a 2 litres pre-pressurized accumulator tank.

Order No.	Description	Capacity	Pressure Cut Off	Fuze Size	Connection
10-13410-01	WPS Uno-Max 2.9 12V	11 l/min – 2.9 GPM	2.8 bar – 41 psi	10 A	3/4" hose
10-13410-02	WPS Uno-Max 2.9 24V	11 l/min – 2.9 GPM	2.8 bar – 41 psi	5 A	3/4" hose
10-13411-01	WPS Uno-Max 3.5 12V	13 l/min – 3.5 GPM	2.8 bar – 41 psi	10 A	3/4" hose
10-13411-02	WPS Uno-Max 3.5 24V	13 l/min – 3.5 GPM	2.8 bar – 41 psi	5 A	3/4" hose

### Aqua Jet Flow Master 5.0 WPS

The ideal choice for pressurizing water in a closed system. The digital controller adjusts water flow as the demand is increased and decreased while maintaining a very smooth flow. The unique variable flow feature of the Flow Master pump allows the pump to be mounted without an accumulator tank and still maintain an even flow regardless if one or multiple taps are being used.



Dimensions	239 mm/9.4" long x 209 mm/8.22" wide x 113 mm/4.49" high	Body	Nylon/Polypropylene
Weight	2 kg/4.5 lbs	Valves	Santoprene/EPDM
Motor	WPS 5.0 – 150 W, 12/24V DC (with built-in thermal protection)	Diaphragm	Santoprene

Order No.	Description	Capacity	Pressure Cut Off	Fuze Size	Connection
10-13329-103	WPS FM 5.0, 12V	19 l/min – 5 GPM	3.5 bar – 50 psi	15 A	3/8" NPT / hose 1/2", 1/2" NPT / hose 3/4", 1/2" - 14 NPSM
10-13329-104	WPS FM 5.0, 24V	19 l/min – 5 GPM	3.5 bar – 50 psi	8 A	3/8" NPT / hose 1/2", 1/2" NPT / hose 3/4", 1/2" - 14 NPSM

# PUMProtector™ Strainer

The PUMProtector™ inlet and universal strainers feature transparent covers for simple inspection, a wide variety of KlickTite™ port connectors for simple installation and removal, and high quality materials for simple maintenance. The connectors make it possible to remove the entire unit for thorough cleaning wherever it's most convenient.



## Universal Strainer

<b>Materials</b>	Strainer – Polyamide 66, black	<b>Diameter</b>	80 mm / 3.15"
	Cover – Acrylic, clear	<b>Height</b>	60 mm / 2.35"
	Screen – Stainless steel, 20 and 40 mesh	<b>Weight</b>	0.15 kg / 0.33 lbs
	O-rings – Silicone and EPDM	<b>Mesh size</b>	20 or 40

Order No.	Description	Mesh	Max Liquid Temp.	Max Temp. for Drinking Water	KlickTite™ Connector
09-24652-02CN	Universal Strainer	40	+50°C – +120°F	+30°C – +85°F	2 x 1/2" hose / 3/8" NPT, 2 x 3/4" hose / 1/2" NPT
09-24652-04CN	Universal Strainer	20	+50°C – +120°F	+30°C – +85°F	2 x 1/2" hose / 3/8" NPT, 2 x 3/4" hose / 1/2" NPT



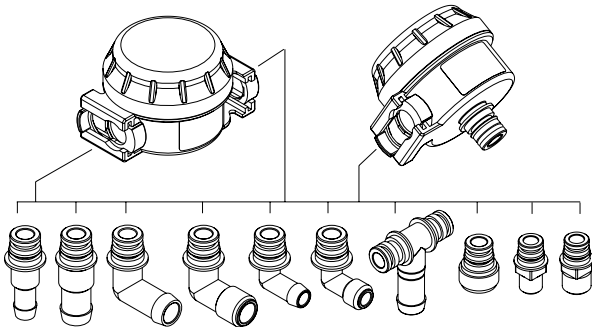
## Inlet Strainer

<b>Materials</b>	Strainer – Polyamide 66, black	<b>Diameter</b>	80 mm / 3.15"
	Cover – Acrylic, clear	<b>Height</b>	60 mm / 2.35"
	Screen – Stainless steel, 20 and 40 mesh	<b>Weight</b>	0.15 kg / 0.33 lbs
	O-rings – Silicone and EPDM	<b>Mesh size</b>	20 or 40

Order No.	Description	Mesh	Max Liquid Temp.	Max Temp. for Drinking Water	KlickTite™ Connector
09-24653-02CN	Universal Strainer	40	+50°C – +120°F	+30°C – +85°F	Built-in KlickTite™ 1 x 1/2" hose / 3/8" NPT, 1 x 3/4" hose / 1/2" NPT
09-24653-03CN	Universal Strainer	40	+50°C – +120°F	+30°C – +85°F	Built-in KlickTite™, Bulk pack w/o connectors

# KlickTite™ Port Connectors

KlickTite™ port connectors are available for virtually any hose diameter and make it possible to remove the entire unit for thorough cleaning wherever it's most convenient. They also make it possible to drain the system quickly for effortless winterizing without the use of any tools.



Order No.	pcs/package	KlickTite™ Connector
09-46957	2	2 x 1/2" hose and 3/8" NPT
09-46958	2	2 x 3/4" hose and 1/2" NPT
09-46939	2	2 x 90°, 3/4" hose
09-47088	2	2 x 90°, 1/2" NPT
09-46938	2	2 x 90°, 1/2" hose
09-47089	2	2 x 90°, 3/8" NPT
09-47094	2	2 x Garden hose adapter
09-47087	2	2 x 90° 1/2" BSP / 1/2"-14 NPSM
09-47098	2	2 x 1/2" BSP / 1/2"-14 NPSM
09-47092	1	1 x T-connection, 3/4" barb

# Inline Strainer



Total Length: 230 mm / 9.05"  
Diameter: 32 mm / 1.25"

Order No.	Connection
48-80035	Inline strainer, 1/2" hose
48-80036	Inline strainer, 3/4" hose
48-80037	Inline strainer, 3/4" BSP